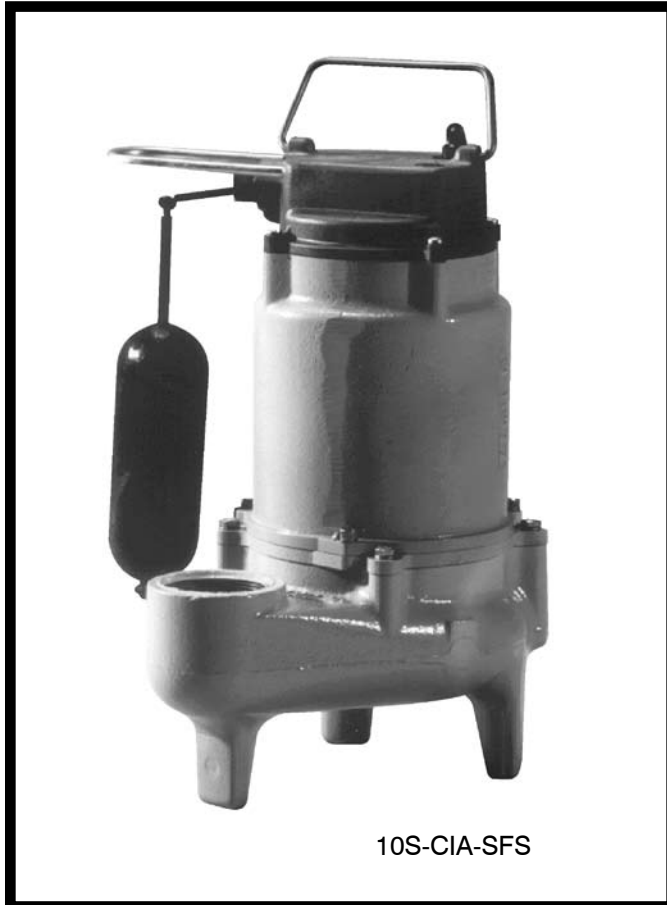


Little GIANT®

10S-CIA SERIES

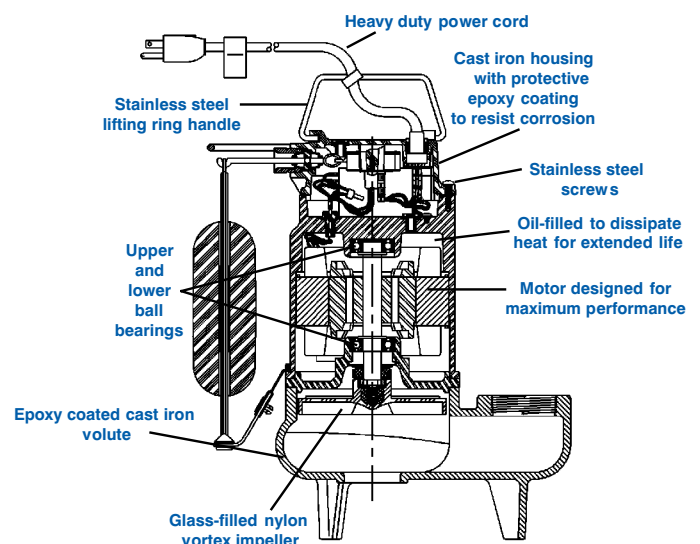


10S-CIA-SFS



Features

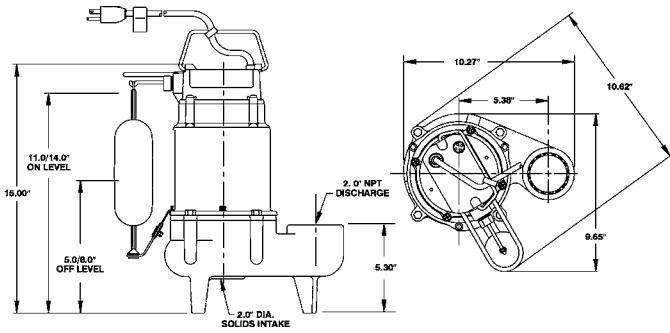
- Handles liquids and solid waste materials up to 2" diameter
- Cast iron pump housing with protective epoxy coating for corrosion resistance
- Oil-filled motor housing for lifetime lubrication and rapid heat dissipation
- Stainless steel screws, bolts, handle and switch guard
- Mechanical seals (stainless steel spring, nitrile parts, carbon and ceramic faces)
- Thermal overload protection
- Integral snap-action float switch — Automatic operation has 11" to 14" "On" level range and 5" to 8" "Off" level range
- Piggyback mechanical float switch — Automatic operation has 15" to 17" "On" level range and 8" to 10" "Off" level range
- PSC type motor with upper and lower ball bearings on 10S-CIA-SFS



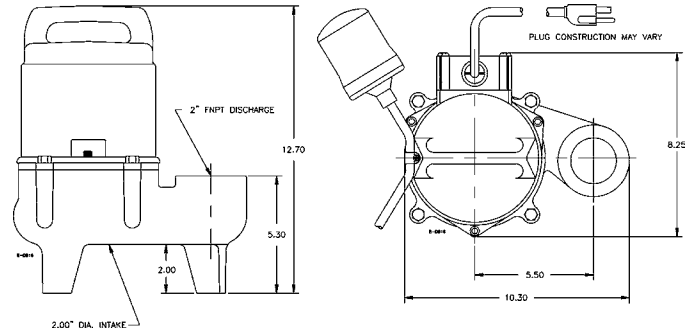
The Model 10S-CIA sewage ejector pump offers greater capacities than the 9S Series. This pump handles liquids and solid materials up to 2" diameter. The 10S-CIA features a 2" discharge with a maximum lift of 20'.

10S-CIA SERIES

10S-CIA-SFS

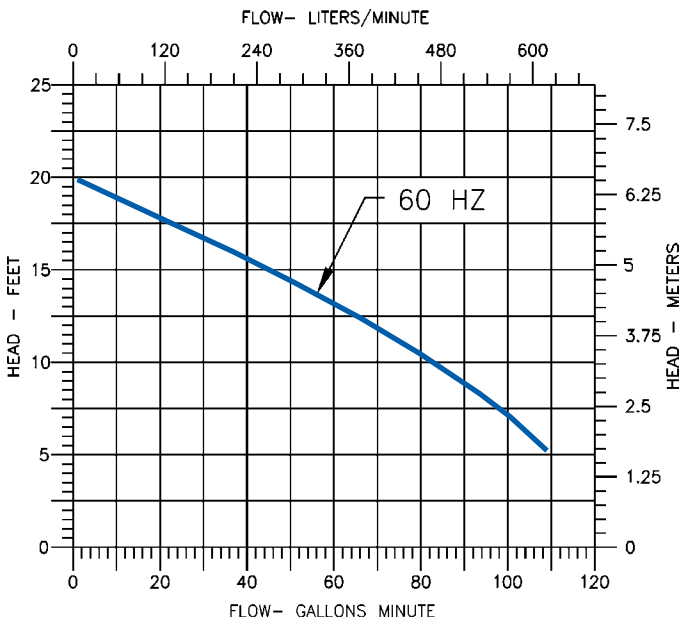


10S-CIA-RFS



Specifications

Model No.	Item No.	Listings	HP	Volts	Solids Size (Dia. in.)	Running Amps/Watts	Performance (GPM @ Head)			Shut Off		Pwr. Cord (ft.)	Weight (lbs.)	Dimensions (H x L x W in.)
							5'	10'	15'	Feet	PSI			
10S-CIA-SFS	511550	UL/CSA	1/2	115	2	9.2/1086	110	85	45	20	8.7	10	46	15 x 10.3 x 9.65
10S-CIA-SFS	511555	UL/CSA	1/2	115	2	9.2/1086	110	85	45	20	8.7	25	46	15 x 10.3 x 9.65
10S-CIA-SFS	511565	UL/CSA	1/2	230	2	4.6/1086	110	85	45	20	8.7	25	47	15 x 10.3 x 9.65
10S-CIA-RFS	511500	UL/CSA	1/2	115	2	12/1000	110	85	45	20	8.7	15	45	12.7 x 10.3 x 8.25



Construction

Motor Housing	Epoxy Coated Cast Iron
Impeller Material	Glass Filled Nylon
Impeller Type	Vortex
Volute	Epoxy Coated Cast Iron
Power Cord	16 - 3 SJTW
Mechanical Shaft Seal	Nitrile parts with carbon and ceramic faces
Fasteners	Stainless Steel
Shaft	Steel
Bearings	Upper & lower ball bearings