



WGP-95-PW



Features

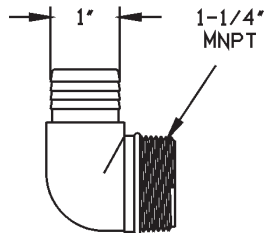
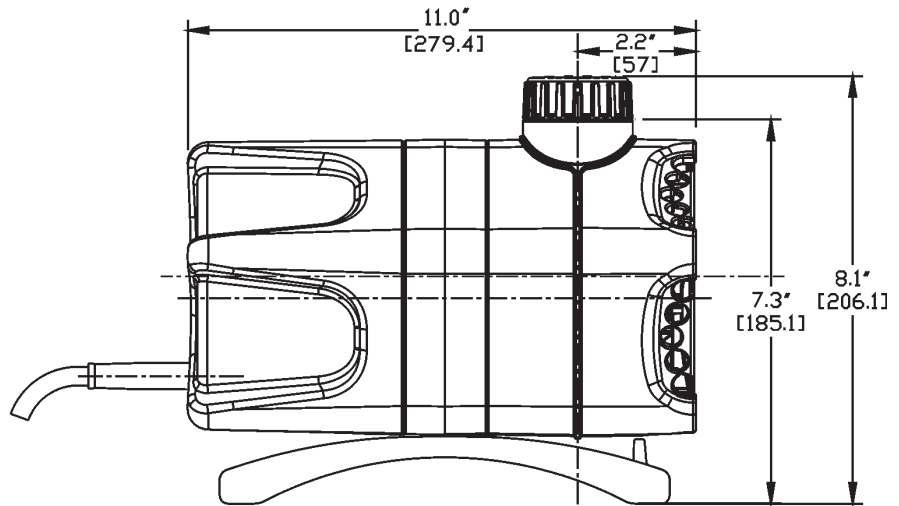
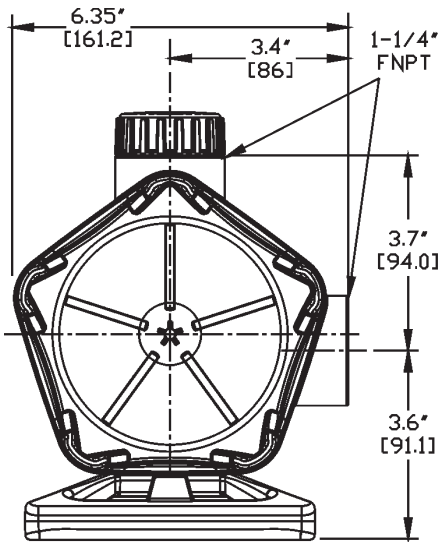
- Unique dual discharge allows for operation of two water features simultaneously
- Powerful direct drive pump produces greater starting torque and flow pressure than comparable magnetic drive submersible pumps
- Designed to operate continuously
- Corrosion resistant body
- Environmentally safe, oil-less
- 16' power cord
- 30' maximum lift
- 700 watts
- Includes two 1-1/4" MNPT × 1-1/4" barbed elbow adaptors and a 1-1/4" MNPT discharge cap

Construction

- Discharge — 1-1/4" FNPT
- Housing — Polypro
- Cover — Polypro
- Volute — Polypro
- Impeller — Noryl
- Shaft Seal — Nitrile

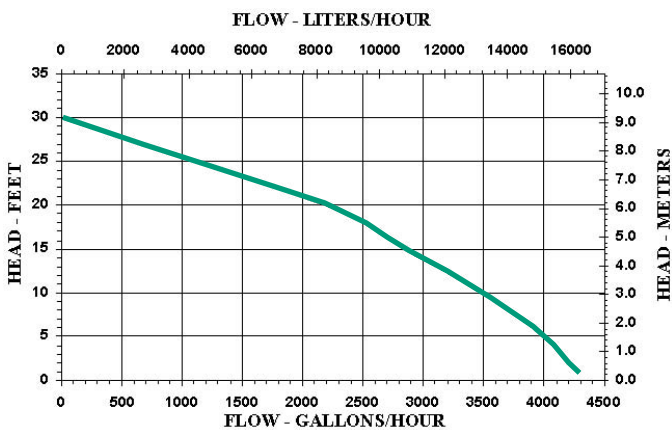
This pump utilizes a permanent-split capacitor (PSC) motor sealed in a stainless steel housing, which in turn is surrounded by a plastic case. The PSC motor allows the pump to use less energy than other pumps of similar flow capacity. The motor also develops less heat; therefore, the pump does not require oil internally. This pump is ideal for use in waterfall and stream applications found in water gardens.

WGP-95-PW



Specifications

Model No.	Item No.	Discharge	Listings	HP	Volts	Hertz	Amps	Watts	Performance (GPH @ Head)					Shut Off Feet	PSI	Pwr. Cord (ft.)	Weight (lbs.)	Height	Length	Width
									1'	5'	10'	15'	20'							
WGP-95-PW	566095	1-1/4" FNPT	cULus	5/8	115	60	6.3	700	4280	4000	3500	2850	2200	30	13.0	16	14.50	8.10	11.00	6.35



WGP-95-PW

Head (ft.)	Flow (GPH)	Head (m)	Flow (LPH)
1	4280	.03	16202
5	4000	1.5	15142
10	3500	3.0	13249
15	2850	4.6	10788
20	2200	6.1	8328
30	0	8.5	0

Little Giant Pump Co.

PO Box 12010 • Oklahoma City, OK 73157

Phone: 405.947.2511 • Fax: 405.228.1550

E-mail: customerservice@littlegiant.com