



## WGP-65-PW



### Features

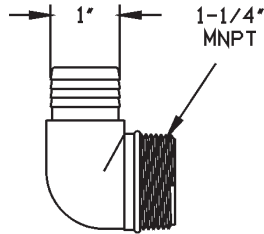
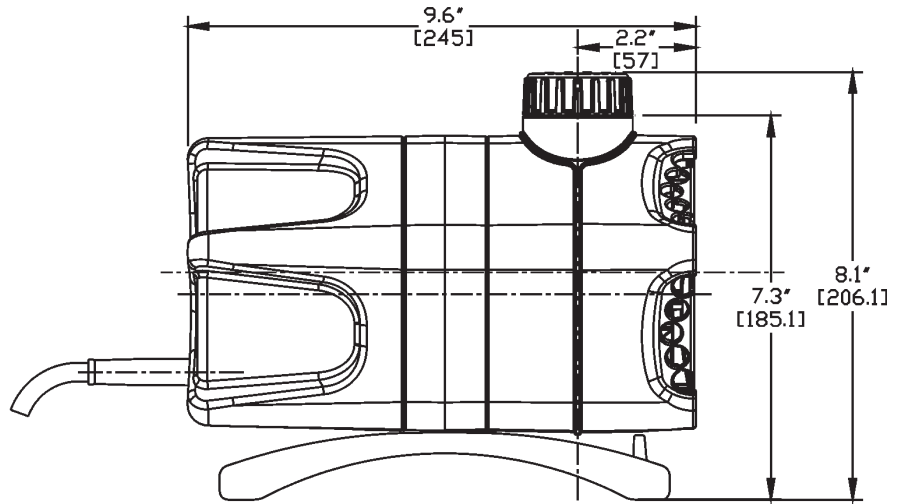
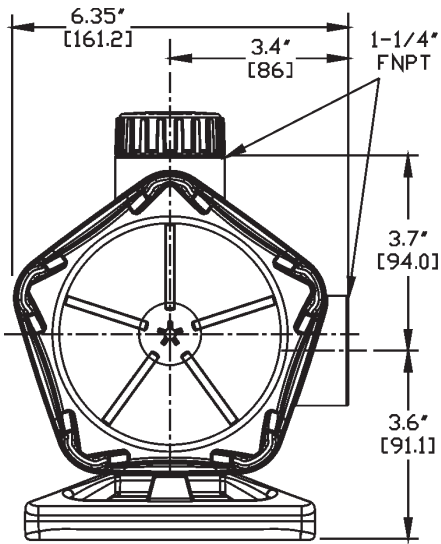
- Unique dual discharge allows for operation of two water features simultaneously
- Powerful direct drive pump produces greater starting torque and flow pressure than comparable magnetic drive submersible pumps
- Designed to operate continuously
- Corrosion resistant body
- Environmentally safe, oil-less
- 16' power cord
- 20' maximum lift
- 230 watts
- Includes two 1-1/4" MNPT × 1" barbed elbow adaptors and a 1-1/4" MNPT discharge cap

### Construction

- Discharge — 1-1/4" FNPT
- Housing — Polypro
- Cover — Polypro
- Volute — Polypro
- Impeller — Noryl
- Shaft Seal — Nitrile

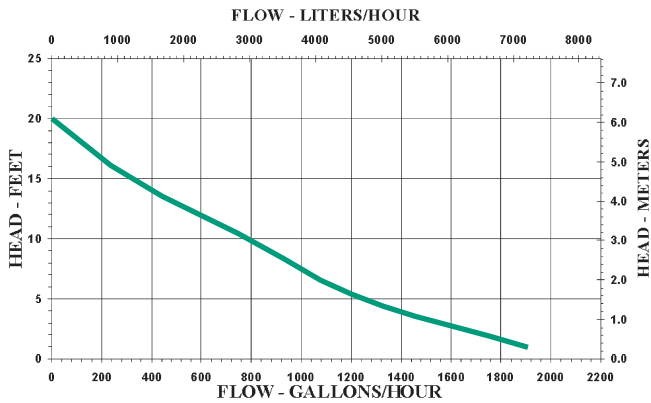
This pump utilizes a permanent-split capacitor (PSC) motor sealed in a stainless steel housing, which in turn is surrounded by a plastic case. The PSC motor allows the pump to use less energy than other pumps of similar flow capacity. The motor also develops less heat; therefore, the pump does not require oil internally. This pump is ideal for use in waterfall and stream applications found in water gardens.

# WGP-65-PW



## Specifications

Model No.	Item No.	Discharge	Listings	HP	Volts	Hertz	Amps	Watts	Performance (GPH @ Head)				Shut Off		Pwr. Cord (ft.)	Weight (lbs.)	Height	Length	Width
									1'	5'	10'	15'	Feet	PSI					
WGP-65-PW	566065	1-1/4" FNPT	cULus	1/8	115	60	2.00	230	1900	1250	785	325	20	8.7	16	10.50	8.10	9.60	6.35



## WGP-65-PW

Head (ft.)	Flow (GPH)	Head (m)	Flow (LPH)
1	1900	.03	7192
5	1250	1.5	4732
10	785	3.0	2972
15	325	4.6	1230
20	0	6.1	0

## Little Giant Pump Co.

PO Box 12010 • Oklahoma City, OK 73157

Phone: 405.947.2511 • Fax: 405.228.1550

E-mail: [customerservice@littlegiant.com](mailto:customerservice@littlegiant.com)