



PES-510-PW



Features

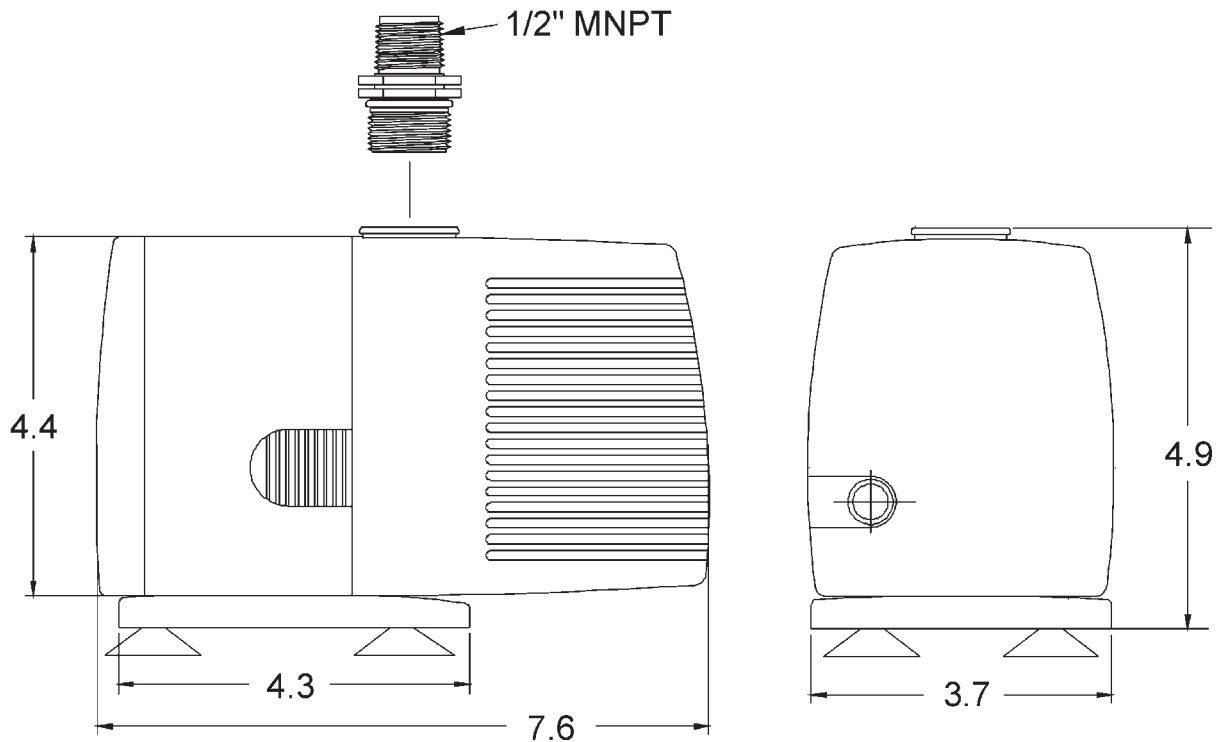
- Energy efficient
- Environmentally safe, oil-less
- Corrosion resistant body
- 15' Cord
- 9.7' maximum lift
- 45 watts
- Discharge accepts 3/4" I.D. tubing

Construction

- Motor — Wet-rotor (hysteresis) epoxy encapsulated
- Intermittent Liquid Temp. up to — 120°F
- Discharge — 1/2" MNPT
- Housing — ABS
- Cover — ABS
- Volute — ABS
- Impeller — POM
- Screen — ABS

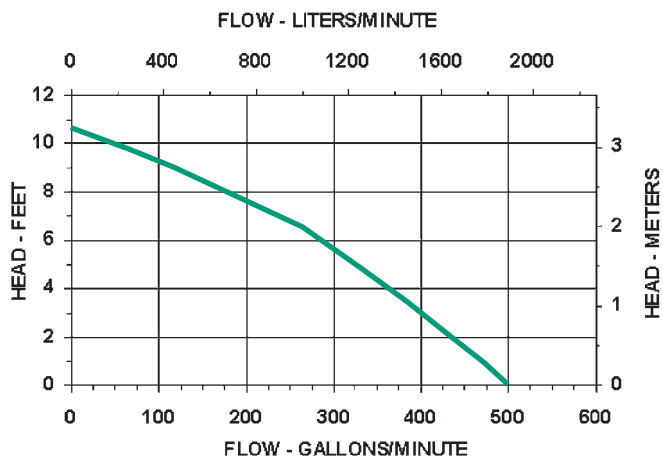
PondWorks® statuary and fountain pumps are designed to enhance your water gardening experience, providing you with beauty and serenity through the sights and sounds of a waterfall, stream or fountain spray nozzle. The mag drive pumps are designed to operate with minimal energy consumption, resulting in low operating costs. The compact size is ideal for use in statuary and fountains of all sizes, as well as limited space applications. PondWorks® statuary and fountain pumps are designed for submersible use and continuous operation, providing you with low maintenance and peace of mind.

PES-510-PW



Specifications

Model No.	Item No.	Discharge	Listings	Volts	Hertz	Amps	Watts	Performance (GPH @ Head)				Shut Off		Pwr. Cord (ft.)	Weight (lbs.)	Height	Length	Width
								0'	3'	5'	7'	Feet	PSI					
PES-510-PW	566295	1/2" MNPT	cULus	120	60	1.5	60	500	400	325	240	10.6	4.6	15	5.50	5.00	7.60	3.80



PES-510-PW

Head (ft.)	Flow (GPH)	Head (m)	Flow (LPH)
0	500	0.0	1893
3	400	0.9	1514
5	325	1.5	1230
7	240	2.1	908
10	50	3.0	189
10.6	0	3.2	0

Little Giant Pump Co.

PO Box 12010 • Oklahoma City, OK 73157

Phone: 405.947.2511 • Fax: 405.228.1550

E-mail: customerservice@littlegiant.com