



---

# PES-1000-PW

---



## Features

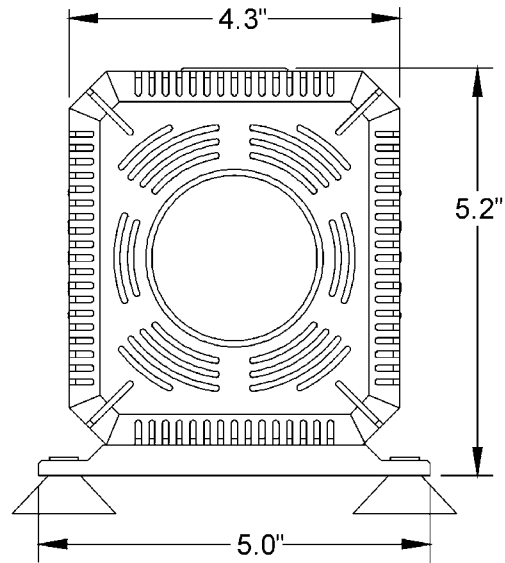
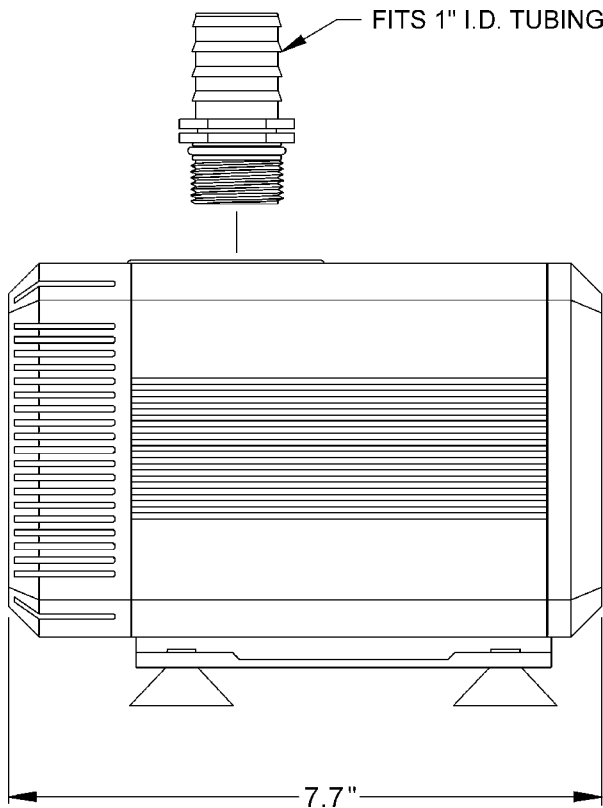
- Energy efficient
- Environmentally safe, oil-less
- Corrosion resistant body
- 15' Cord
- 16' maximum lift
- 160 watts
- Discharge adaptor accepts 1" I.D. vinyl tubing

## Construction

- Motor — Wet-rotor (hysteresis) epoxy encapsulated
- Intermittent Liquid Temp. up to — 120°F
- Housing — ABS
- Cover — ABS
- Volute — ABS
- Impeller — POM
- Screen — ABS
- Motor Shaft — Ceramic

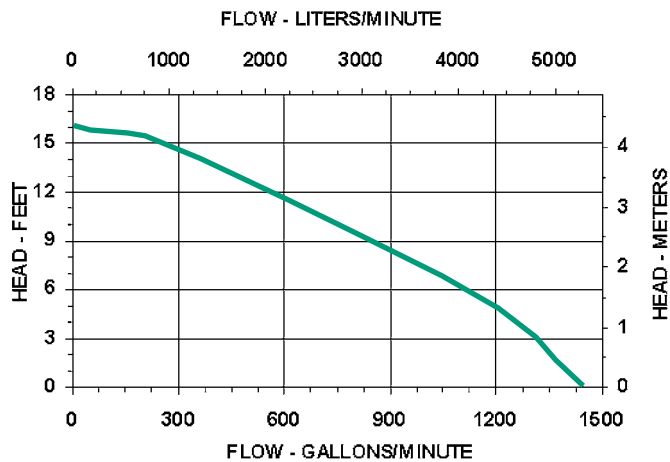
PondWorks® statuary and fountain pumps are designed to enhance your water gardening experience, providing you with beauty and serenity through the sights and sounds of a waterfall, stream or fountain nozzle. The mag drive pumps are designed to operate with minimal energy consumption, resulting in low operating costs. The compact size is ideal for use in statuary and fountains, as well as limited space applications. PondWorks® statuary and fountain pumps are designed for submersible use and continuous operation, providing you with low maintenance and peace of mind.

# PES-1000-PW



## Specifications

Model No.	Item No.	Discharge	Listings	Volts	Hertz	Amps	Watts	Performance (GPH @ Head)					Shut Off		Pwr. Cord (ft.)	Weight (lbs.)	Height	Length	Width
								0'	1'	5'	10'	15'	Feet	PSI					
PES-1000-PW	566296	1" MNPT	cULus	120	60	2	160	1450	1400	1200	750	250	16.0	6.9	15	9.50	5.2	7.7	5.0



## PES-1000-PW

Head (ft.)	Flow (GPH)	Head (m)	Flow (LPH)
0	1450	0.0	5489
1	1400	0.3	5300
5	1200	1.5	4542
10	750	3.0	2839
15	250	4.6	946
16	0	4.9	0

## Little Giant

PO Box 12010 • Oklahoma City, OK 73157  
 Phone: 888.956.0000 • Fax: 800.701.8046  
 E-mail: [customerservice@littlegiant.com](mailto:customerservice@littlegiant.com)