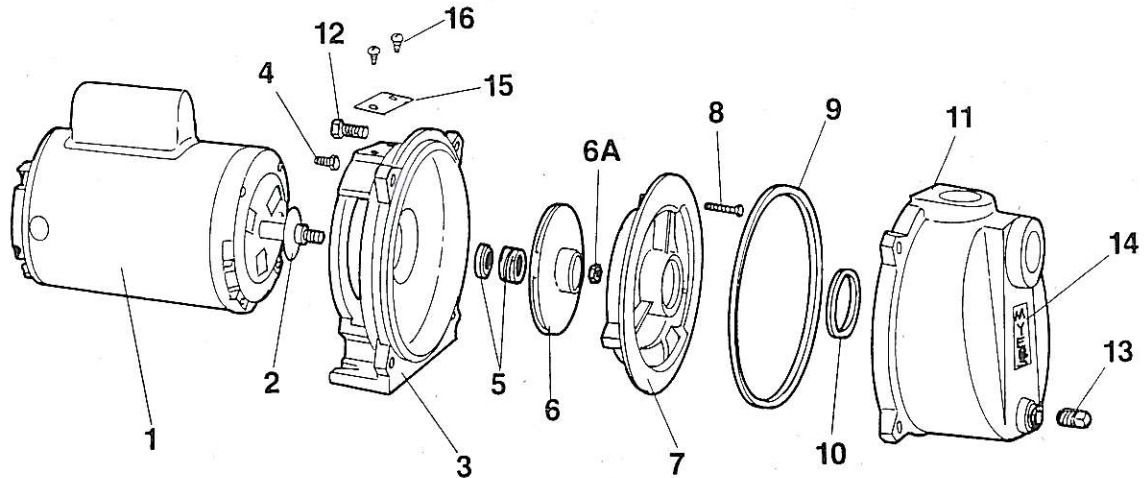


# QP Series Centrifugal Pump Parts List



Ref. No.	Part No.	Description
1	20934A	Motor, 3/4 HP 115/230V 1PH — QP-7 — Replaces 20587A
1	20593A	Motor 3/4 HP 200/230/460V 3PH — QP7-3 — Replaces 21037A On QP7-03
1	20935A	Motor 1 HP 115/230V 1PH — QP-10 — Replaces 20588A
1	20594A	Motor 1 HP 200/230/460V 3PH — QP10-3 — Replaces 21038A On QP10-03
1	20589A	Motor, 1 1/2 HP 115/230V 1PH — QP15
1	20595A	Motor 1 1/2 HP 200/230/460V 3PH — QP15-3 — Replaces 21039A On QP15-03
1	20591A	Motor 2 HP 230V 1PH — QP20
1	20596A	Motor 2 HP 200/230/460V 3PH — QP20-3 — Replaces 21040A On QP20-03
1	20592A	Motor, 3 HP 230V 1PH — QP30
1	20597A	Motor 3 HP 200/230/460V 3PH — QP30-3 — Replaces 21041A On QP30-03
2	5059A318	Slinger
3	20598D	Bracket
4	19101A8	Screw, Cap 3/8-16" x 7/8" — 4 Req'd.
5	14525A	Seal
6	20599B	Impeller — QP7, QP7-3, QP7-03
6	20600B	Impeller, Brass — QP10, QP10-3, QP10-03
6	20600B3	Impeller, GFN-3* — QP10
6	20600B4	Impeller, GFN-3* — QP10-3, QP10-03
6	20601B	Impeller, Brass — QP15, QP15-3, QP15-03
6	20601B3	Impeller, Lexan — QP15
6	20601B4	Impeller, GFN-3* — QP15-3, QP15-03

\*Glass Filled Noryl 30%

Ref. No.	Part No.	Description
6	20602B	Impeller — QP20, QP20-3, QP20-03
6	20603B	Impeller — QP30, QP30-3, QP30-03
6A	19109A70	Nut, 7/16-20 SST — Used on 3 Phase Units Only
7	20559D	Diffuser — QP7, QP7-3, QP7-03, QP10, QP10-3, QP10-03
7	20560D	Diffuser — QP15, QP15-3, QP15-03, QP20, QP20-3, QP20-03
7	20561D	Diffuser — QP30, QP30-3, QP30-03,
8	19099A14	Screw, Cap 1/4-20 x 1 1/2" — 3 Req'd.
9	5014A167	Gasket, 8 3/4" OD
10	5014A166	Gasket, 2 1/8" OD
11	20604D	Case
12	19102A2	Screw, Cap 7/16-14 x 1 1/4" — 4 Req'd.
13	5022A9	Plug, 1/4 NPT — Replaces 5022A7, 1" NPT Plug
14	14743A	Emblem "Myers"
15	17908A	Nameplate, Blank
16	5160A1	Screw, Drive — 2 Req'd.

**Myers**