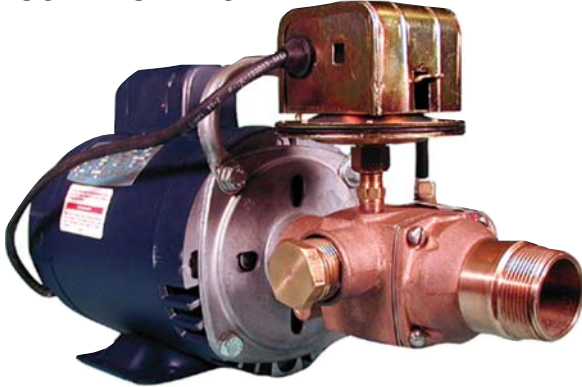


RUBBER IMPELLER PUMP BRONZE CLOSE COUPLED

406MK-04N26



FEATURES

- All Bronze Construction
- Stainless Steel Shafts
- Portable
- Compact
- Easy Impeller Replacement
- Macerator Easily Replaced
- Reversible Wear Plate
- Vacuum Switch Shut-off Optional

GENERAL DESCRIPTION

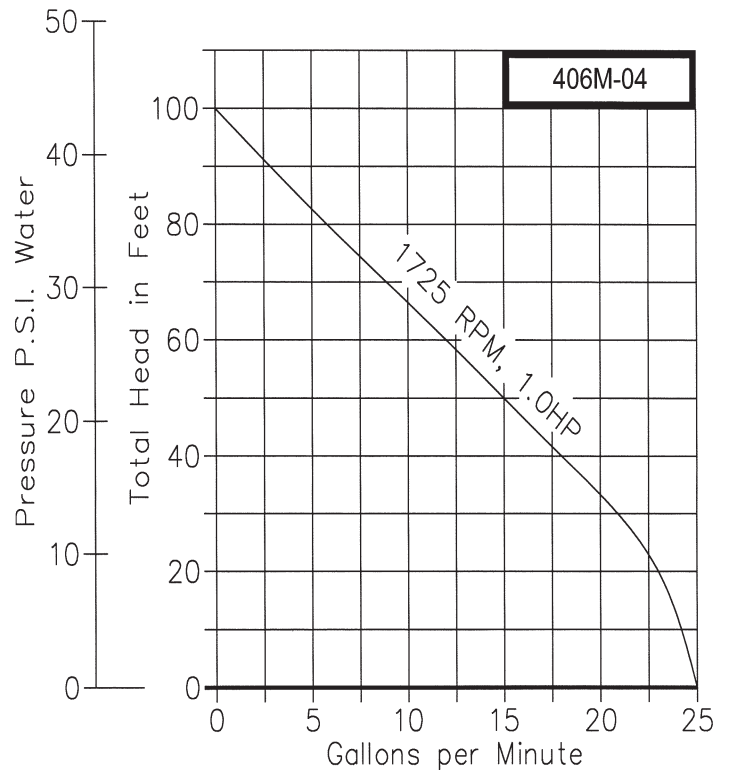
Close coupled Rubber Impeller Pumps are made of high quality bronze for maximum corrosion resistance. The rubber impeller is either directly attached to the stainless steel motor shaft or the impeller is mounted on a separate stainless steel shaft which is counterbored on the outer end in order to slide over the carbon steel motor shaft. Ball or sleeve bearings in the motor support the shaft. Model 406M has a mechanical seal. Impellers are made of Neoprene rubber, Buna N impellers are available on request.

Flexible blades on the periphery of the impeller provide the pumping action. While the impeller rotates, the liquid between the blades is continuously squeezed out into the discharge port by a cam located inside the pumping chamber. The flow may be throttled or shut off for a short period without the need of a relief valve.

DRIVE ARRANGEMENT

Close coupled Rubber Impeller Pumps are mounted directly onto the electric motor without the use of a shaft coupling. This pump is coupled to a standard motor with Nema C flange. It uses a bronze adapter plate to accommodate the pump.

PERFORMANCE



LIQUIDS AND TEMPERATURE

Liquids handled by Rubber Impeller Pumps with standard Neoprene impellers are primarily fresh or salt water and water solutions. Rubber Impeller Pumps are not suitable for pumping gasoline or solvents. Buna N impellers can handle oil contaminated water and kerosene at reduced impeller service life.

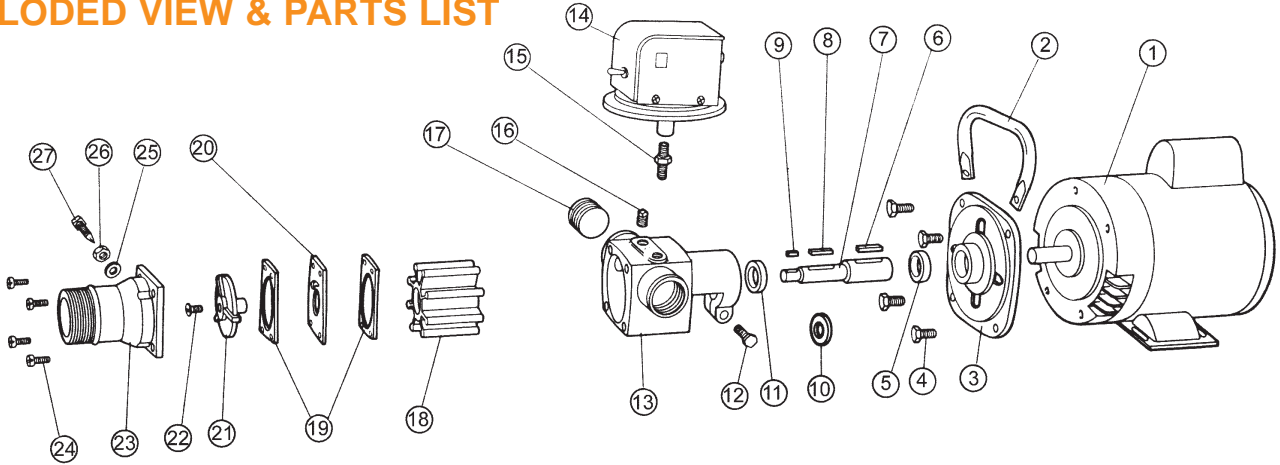
Liquid temperature range is from 40°F to 140°F. If freezing conditions are expected, the pump should be drained by loosening the cover screws and the pump chamber should be filled with antifreeze. Viscous liquids and oils can not be pumped with Rubber Impeller Pumps.

SUCTION LIFT

On initial start-up Rubber Impeller Pumps must be primed to prevent dry-running of the impeller. Suction lifts of 15 ft. are possible when pump is fully primed. A foot valve with built-in strainer at the beginning of the suction line is recommended. Suction lines should be as short as possible.

RUBBER IMPELLER PUMP BRONZE CLOSE COUPLED

EXPLODED VIEW & PARTS LIST



Part No.	1	2	3	4	5	6	7	8	9	10	11	12	13
	Motor	Handle	Adapter	Screw	Collar	Key	Shaft	Key	Key	Washer	Seal Assy.	Screw	Body
	1 Reqd	1 Reqd	1 Reqd	4 Reqd	1 Reqd	1 Reqd	1 Reqd	1 Reqd	1 Reqd	1 Reqd	1 Reqd	1 Reqd	1 Reqd
406M-04	---	---	7459	5411	5886	6845	7519	5475	6947	6631	32230	5595	7040
406M-04N26	7055	9773	7459	5411	5886	6845	7519	5475	6947	6631	32230	5595	7040
406MK-04N26	7055	9773	7459	5411	5886	6845	7519	5475	6947	6631	32230	5595	7040

Part No.	14	15	16	17	18	19	20	21	22	23	24	25	26
	Vacuum Switch	Nipple	Pipe Plug	Pipe Plug	Impeller	Gasket	Plate	Wheel	Screw	Cover	Screw	Washer	Jam Nut
	1 Reqd	1 Reqd	2 Reqd	1 Reqd	1 Reqd	2 Reqd	1 Reqd	1 Reqd	1 Reqd	1 Reqd	4 Reqd	1 Reqd	1 Reqd
406M-04	---	---	7043	7189	6603	7188	7101	7075	6437	7100	8229	7255	7256
406M-04N26	---	---	7043	7189	6603	7188	7101	7075	6437	7100	8229	7255	7256
406MK-04N26	7046	7050	7043	7189	6603	7188	7101	7075	6437	7100	8229	7255	7256

Part No.	27	28	29	30	31	32	33	34	Repair Kits*
	Pick Screw	Cord	Terminal Spade	Wire Nut	Wire Nut	Washer (Handle)	Screw (Handle)	Cord	
	1 Reqd	1 Reqd	1 Reqd	1 Reqd	2 Reqd	2 Reqd	2 Reqd	1 Reqd	
406M-04	7258	---	---	---	---	---	---	---	10956
406M-04N26	7258	7044	7297	9850	9857	6831	5974	---	10956
406MK-04N26	7258	7044	7297 ¹	9850	9857	6831	5974	7047	10956

*Repair Kits contain items 11, 18 & 19.
Vacuum Switch Repair Kit is p/n 10798. Kit contains items 14, 15, 29 & 34.

¹ Five Required.

Items 28 - 34 are not shown on illustration.

DIMENSIONS

