

# BRONZE CLOSE COUPLED ROTARY GEAR PUMPS

**MODEL  
N992  
SERIES**



**OBERDORFER PUMPS**  
A Subsidiary of Thomas Industries Inc.

## MODEL N992 - 3/8" NPT PORTS STANDARD



Pump	Description
N992	Standard Pump with 3/8" Ports
N992R	Pump with 3/8" Ports & Relief Valve
N992S5	Pump with Viton(R)* Seal
N992RS5	Pump with Viton(R)* Seal & Relief Valve

**1/2" NPT Ports are available.**

### FEATURES

- n Compact design eases installation and use in limited space areas.
- n Construction is bronze and stainless steel wetted components.
- n Close tolerance design allows for consistent performance.
- n Helical gears for quiet operation.

### GENERAL DESCRIPTION

Pump housings and gears are made of top quality bronze, shafts are 303 stainless steel. Bearings are designed of high performance carbon-graphite material selected for wear resistance and long service life.

Gear pumps are positive displacement pumps. Each shaft revolution displaces a definite amount of liquid relatively unaffected by the back pressure in the discharge line. Shaft speed and flow are directly proportional. Recommended pressure limits are 100 PSI for water and non-lubricants, 150 PSI for oil and other lubricants. The maximum shaft speed is 1750 RPM.

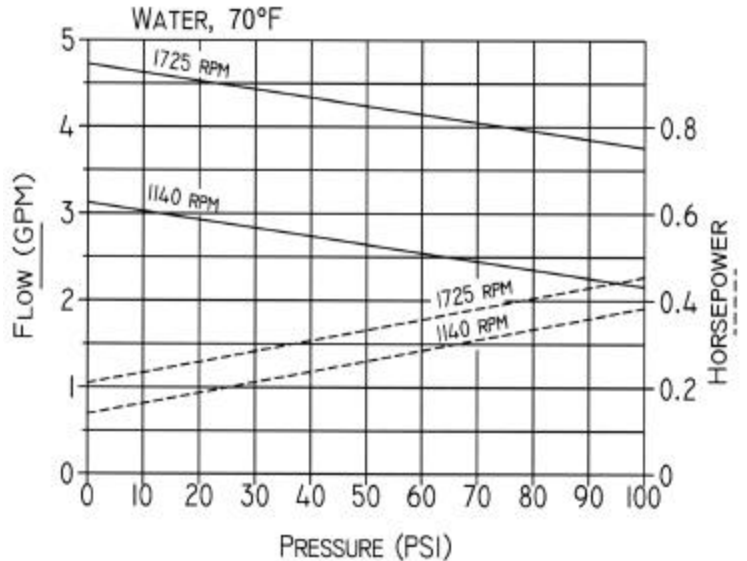
### SHAFT SEALS

Close coupled gear pumps are normally supplied with a Buna N lip seal. A lip seal made of Viton(R)\* is available as an option. For a Viton(R)\* Seal, add S5 to the pump model number.

### LIQUIDS AND TEMPERATURE

These pumps are suitable for all liquids that are compatible with bronze. Most common liquids are water, oil, and mild chemicals in the pH range of 4 to 11. Viscous liquids require reduced shaft speeds of 1150 RPM or lower. (Consult factory.)

### PERFORMANCE



Liquids containing solids, abrasives, powders, or paint pigments are definitely not recommended for gear pumps. If abrasives are unavoidable, use a very low shaft speed.

The recommended liquid temperature range is from 32°F to 140°F for best pump life. If more extreme temperature conditions exist, factory should be consulted. Freezing of water-filled pumps can cause damage and must be avoided. Oils at low temperatures are very viscous requiring a lower speed or extra power.

### SUCTION LIFT

As a general rule, the suction lift should be kept at an absolute minimum by placing the pump as close to the liquid source as possible. A gear pump in new condition can lift 20 feet of water in the suction line. A foot valve (preferably with built-in strainer) is recommended at the beginning of the suction line. For a first start-up, the pump should be primed to avoid dry running. Minimum size of the suction pipe is the size of the pump inlet port. For longer suction lines (over 3 feet) or for viscous liquids, the pipe should be at least one size or two sizes larger than the pump inlet port.

### ROTATION AND RELIEF VALVE

If the discharge line contains any throttling devices such as a shut-off valve, a spray nozzle or other restrictive device, it is necessary to have a relief valve in the system which returns the liquid to the suction side or to the tank. The relief valve is also available as part of the pump itself (R-model pumps). However, built-in relief valves are only good for intermittent service. If used continuously, the pump will overheat. A built-in relief valve is strictly a safety device against overpressure. It will not work successfully as a pressure or flow control device. For this purpose a separate relief valve in the pressure line must be used.

Unless otherwise specified, the pump motor unit is supplied by the factory for shaft rotation counterclockwise from shaft end. Reversing motor will reverse "in" and "out" ports and also requires changing relief valve location. The relief valve is always on the inlet side of this pump series. The factory pressure setting is 50 PSIG. To increase pressure, turn the relief valve adjusting screw in a clockwise direction.

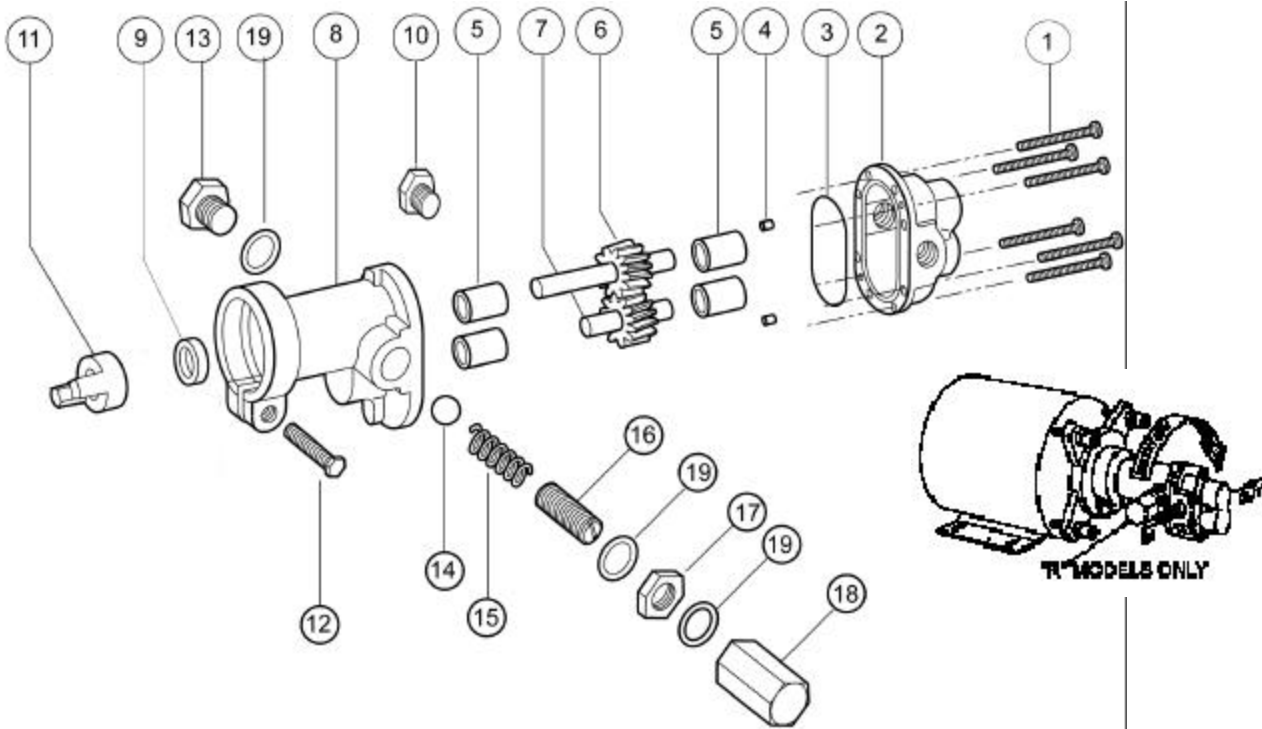
**MODEL  
N992  
SERIES**

**BRONZE CLOSE COUPLED  
ROTARY GEAR PUMPS**



**OBERDORFER PUMPS**  
A Subsidiary of Thomas Industries Inc.

**EXPLODED VIEW AND PARTS LIST**



Pump No.	1	2	3 <sup>1</sup>	4	5 <sup>1</sup>	6 <sup>1</sup>	7 <sup>1</sup>	8	9 <sup>1,2</sup>	10	11	12	13	14	15	16	17	18	19
	Screw	Body	O-Ring	Dowel Pin	Bearing	Drive Gear Assy.	Idle Gear Assy.	Cover	Lip Seal	Cap Plug	Coupling	Screw	Plug Nut	Ball	Spring	Adj. Screw	Locknut	Bypass Nut	Fiber Washer
	6 Req'd	1 Req'd	1 Req'd	2 Req'd	1 Req'd	1 Req'd	1 Req'd	1 Req'd	1 Req'd	1 Req'd	1 Req'd	1 Req'd	1 Req'd	1 Req'd	1 Req'd	1 Req'd	1 Req'd	1 Req'd	3 Req'd
N992	5013	9306NC5N	9797-038	8885	5024	32994	32993	9308NN2N	5007	9346	5604	5595	---	---	---	---	---	---	---
N992R	5013	9306NC5N	9797-038	8885	5024	32994	32993	9308NN2B	5007	9346	5604	5595	1838	5238	1840	5237	5240	5239	6533

<sup>1</sup>Repair Kits contain items 3, 5, 6, 7 & 9. Repair Kit for N992(R) is #10631.

<sup>2</sup> Seal #5007 is standard Buna N, #7580 is Viton(R)\*-Teflon(R)\*.

**VARIATIONS**

Pump No.	9 <sup>1,2</sup>	
	Lip Seal	Repair Kit <sup>1</sup>
N992S5	7580	11351
N992RS5	7580	11351

\*Viton(R) or equivalent FKM will be used.  
Viton(R) is a registered trademark of DuPont Dow Elastomers.  
Teflon(R) or equivalent PTFE will be used.  
Teflon(R) is a registered trademark of DuPont.

**DIMENSIONS**

