



### RANGE OF PERFORMANCE

Flow rate up to 13 gpm  
Head up to 154 ft

### LIMITS OF USE

Manometric suction lift up to 29 ft  
Liquid temperature up to + 104°F  
Environment temperature up to + 104°F

### CONSTRUCTION AND SAFETY STANDARDS

EN 60 335-1	EN 60034-1
IEC 335-1	IEC 34-1
CEI 61-150	CEI 2-3



### INSTALLATION AND USE

They are recommended for pumping clean water and liquids that are chemically non aggressive to the materials from which the pump is made. **JSW SELF-PRIMING PUMPS ARE DESIGNED FOR SUCTION LIFTS AND CAN BE POSITIONED ABOVE THE WATER SOURCE, INCLUDING APPLICATIONS WITH AIR ENTRAINED IN THE WATER. DUE TO THEIR RELIABILITY AND LOW MAINTENANCE, THEY ARE RECOMMENDED FOR RESIDENTIAL USE, INCLUDING WATER DISTRIBUTION (AS PART OF A PRESSURE SET), GARDEN IRRIGATION, ETC.**

The pumps must be installed in enclosed places, or at least protected against inclement weather.

**GUARANTEE 2 YEARS** subject to our general terms of sale.

### CONSTRUCTION CHARACTERISTICS

- **PUMP BODY:** cast iron, with threaded ports.
- **BODY BACK-PLATE:** stainless steel AISI 304.
- **EJECTOR ASSEMBLY:** technopolymer (approved for drinking water).
- **IMPELLER:** technopolymer up to 1 HP.
- **MOTOR SHAFT:** stainless steel EN 10088-3 - 1.4104.
- **MECHANICAL SEAL:** ceramic - graphite -NBR.
- **ELECTRIC MOTOR:** the pumps are close-coupled to a carefully matched PEDROLLO electric motor, quiet running, totally enclosed fan cooled (TEFC), suitable for continuous duty.
  - JSW: single-phase 115 V or 230 V - 60 Hz with capacitor and thermal overload protector.
  - JSW: three-phase 230/460 V - 60 Hz.
- **INSULATION:** class F. ● **PROTECTION:** IP 44.
- **REGISTERED MODEL** n° 72753.

### OPTIONS ON REQUEST

- ⇒ impeller in **technopolymer** (JSW...X - JSW...X)
- ⇒ other voltages or frequency 50 Hz

# CURVES AND PERFORMANCE DATA

**JSW 05**

Suction Lift Depth (feet)	Discharge Pressure - PSI				Max Shut OFF PSI
	30	40	50	60	
	Discharge Capacity US GPM				
5	12	8	5	2	70
10	11	6.5	4	1.5	68
15	10.5	6.5	3.5	1	65.5
20	8.5	5.5	3	0.5	62.5
25	8	5	2.5		61.5

**JSW 07**

Suction Lift Depth (feet)	Discharge Pressure - PSI				Max Shut OFF PSI
	30	40	50	60	
	Discharge Capacity US GPM				
5	21	20	7	2	65
10	18.5	11	6.5	1.5	63
15	16.2	10	5.3		61
20	14.9	8	2.9		59
25	7.2	5.5	1.5		57

**JSWH 07**

Suction Lift Depth (feet)	Discharge Pressure - PSI				Max Shut OFF PSI
	30	40	50	60	
	Discharge Capacity US GPM				
5	14	13	8.5	6	80
10	13	12	8	5	78
15	12	11	7	4	76
20	10	9	6	3	74
25	9	7	5	2	72

**JSW 10**

Suction Lift Depth (feet)	Discharge Pressure - PSI				Max Shut OFF PSI
	30	40	50	60	
	Discharge Capacity US GPM				
5	22	21	15.8	10	79
10	22	21	14.5	8.5	77
15	21	20	12.6	7.2	75
20	20	18.5	10.5	5	73
25	20	18	10.3	4	71

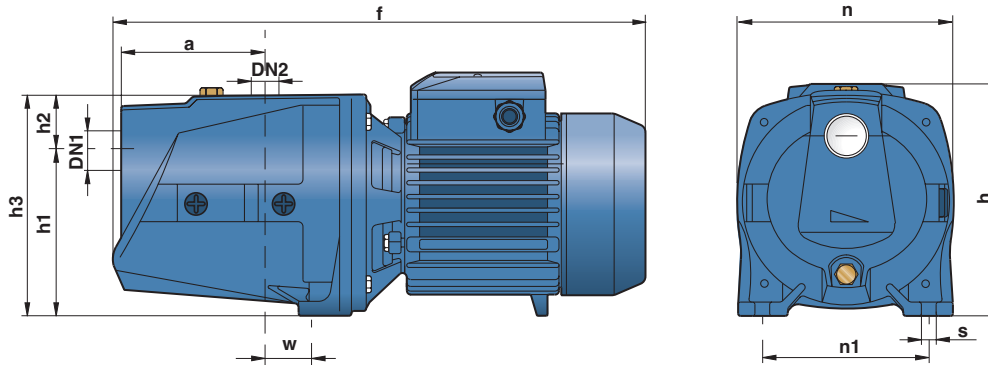
**JSWH 10**

Suction Lift Depth (feet)	Discharge Pressure - PSI				Max Shut OFF PSI
	30	40	50	60	
	Discharge Capacity US GPM				
5	14	14	12	9	102
10	13.5	13.5	10	7.5	100
15	13	13	9.8	7	98
20	13	12.5	9	6.5	96
25	12	11	8	6	94

**JSWQ 15**

Suction Lift Depth (feet)	Discharge Pressure - PSI				Max Shut OFF PSI
	30	40	50	60	
	Discharge Capacity US GPM				
5	40	30	18	12	74
10	40	29	16.5	10.5	72
15	39.5	28.5	14.5	9	70
20	39.5	28.5	12	8.5	68
25	39.5	28.5	11.5	8	66

## DIMENSIONS AND WEIGHT



MODEL		SUCTION /DISCH		DIMENSIONS INCHES										LBS	
1 PH	3 PH	DN1	DN2	a	f	h	h1	h2	h3	n	n1	w	s	1~	3~
JSW 05	JSW 05	1"	1"	4.5	15.2 / 14.9	6.7	5.0	1.3	6.3	6.3	4.9	0.4	0.4	22.1	22.5
JSW 07	JSW 07	1"	1"	4.5	15.8	7.9	5.8	1.4	7.2	7.1	5.6	0.9	0.4	30.3	30.5
JSWH 07	JSWH 07	1"	1"	4.5	15.8	7.9	5.8	1.4	7.2	7.1	5.6	0.9	0.4	30.3	30.5
JSW 10	JSW 10	1"	1"	4.5	15.8	7.9	5.8	1.4	7.2	7.1	5.6	0.9	0.4	33.2	30.5
JSWH 10	JSWH 10	1"	1"	4.5	15.8	7.9	5.8	1.4	7.2	7.1	5.6	0.9	0.4	33.2	30.9
JSWQ 15	JSWQ 15	1 1/4"	1"	4.5	15.8	7.9	5.8	1.4	7.2	7.1	5.6	0.9	0.4	59.0	57.0