



Series: PFUT06

**Portable Utility Pumps
1/8" Spherical Solids, 3/4" G.H.T., 1/6HP**



| | |
|---------------------------|--|
| DISCHARGE | 3/4" G.H.T. Male, Vertical |
| LIQUID TEMPERATURE | 77°F Continuous |
| MOTOR HOUSING | Thermoplastic |
| PUMP STRAINER | Thermoplastic |
| IMPELLER | 4 vane, semi-open Material: Thermoplastic |
| SHAFT | Steel |
| O-RINGS | Buna-N |
| HARDWARE | Stainless Steel |
| SEAL | Single Mechanical, Type 6 Material: Carbon/Ceramic/Buna-N |
| UPPER BEARING | Single, Row, Ball, Oil Lubricated |
| LOWER BEARING | Single, Row, Ball, Oil Lubricated |
| POWER CORD | 15 Ft., cord with plug |
| MOTOR | Air Filled, Class B insulation |
| SINGLE PHASE | Permanent Split Capacitor (PSC). Includes Thermal Overload Protection in Motor |

Series: PFUT06

**1/6HP, 3450 RPM, 60 Hz
Portable Utility Pumps**

Description

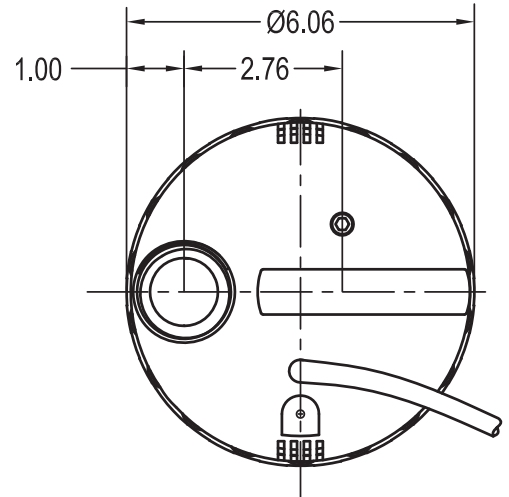
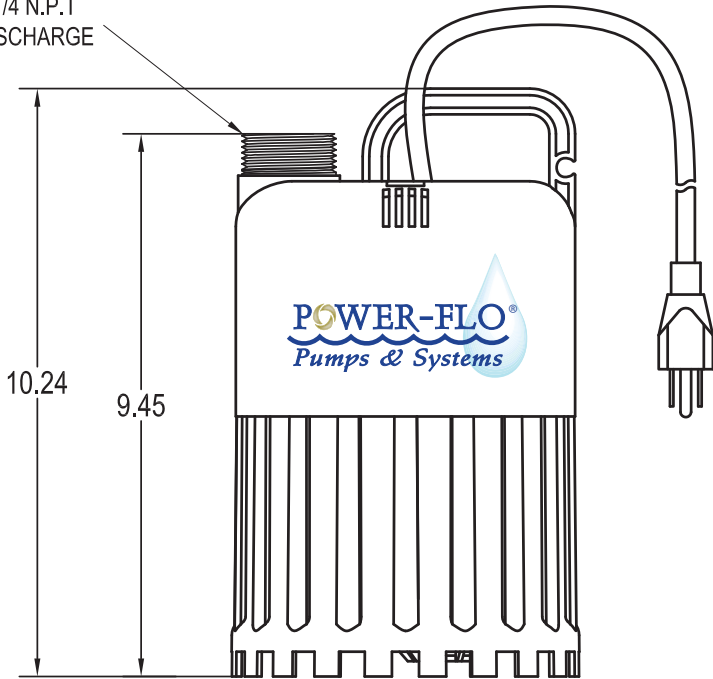
General purpose pump for residential, light industrial and commercial sump applications.

Series: PFUT06



Portable Utility Pumps
1/8" Spherical Solids, 3/4" G.H.T., 1/6HP

1-1/4 N.P.T
DISCHARGE



| MODEL | HP | Hz | Volts/Ph | RPM | Full Load Amps | Cord Length | Cord Type |
|--------|-----|----|----------|------|----------------|-------------|-----------|
| PFUT06 | 1/6 | 60 | 115/1 | 3450 | 2.0 | 15 Ft. | SJTW |

